

## Dome Cover cleaning recommendation

### 1. Manual description

Dome cover cleaning is recommended using a soft cloth (dry, wet), and is not recommended to use it as it may damage surfaces such as alcohol, detergent, solvent, and oil.

[Recommendations clause on manual]

- 6. Clean the contaminated area on the product surface with a soft, dry cloth or a damp cloth.  
(Do not use a detergent or cosmetic products that contain alcohol, solvents or surfactants or oil constituents as they may deform or cause damage to the product.)
- 20. When installing the product, be careful not to allow the surface of the product to be stained with chemical substance.  
Some chemical solvents such as cleaner or adhesives may cause serious damage to the product's surface.

### 2. Guide for on-site

There can be many situations for domecover contamination, but in an environment where sand dust occurs, it is recommended to remove dust and wash it according to the manual guide.

\* The key precaution when cleaning is to remove sand grains-like particles in advance to prevent damage to the Dome Cover before cleaning with a soft cloth cleaning.



(Dust blower)

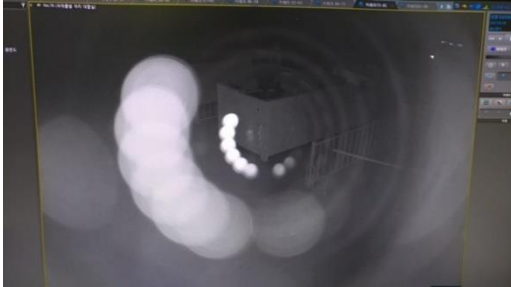


(example for use)

## IR diffuse reflection

번호	# 8	제품군	N/W CAMERA
제품(모델명)	N/W IR Dome 카메라	구축 Site	백화점, 상가, APT
발생 빈도	<input type="checkbox"/> 상 <input type="checkbox"/> 중 <input checked="" type="checkbox"/> 하	키워드	야간 적외선 불량, 빛 반사

### 1. Problematic image



### 2. Cause

- The dome cover is not assembled in right direction(place)

### 3. Guide

- re-assemble the dome cover in the position as shown below



## Failure on the Field

번호	# 13	제품군	N/W CAM
제품(모델명)	QNV-7080R	구축 Site	관공서
발생 빈도	<input type="checkbox"/> 상 <input type="checkbox"/> 중 <input checked="" type="checkbox"/> 하	키워드	야간 적외선 불량, 빛 반사

### 1. Problematic image



There is dirt and dust (rainwater + dust) on the front of the Dome Cover .

### 2. Cause

Dome Cover External contamination (much of dusts, stains) Occurs

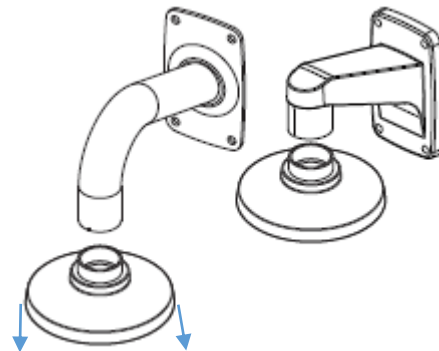
When the device was install at the outdoor, the rain flooding down to the wall and path through the dome cover with the dust.

### 3. Guide

1) Replace the dome cover.

2) Install Wall Mount Adapter to prevent rain flooding on the device.

→ The wall mount adapter compatible with the product is specified in the manual.



Rainwater does not reach the dome cover.

## Note (Dome cover material)

---

### □ Dome cover material related

- . HTW dome Cover Material: Polycarbonate (PC) material.

(Same use by other companies)

. Acrylic and Polycarbonate (PC) are the materials that can be used as a dome cover.

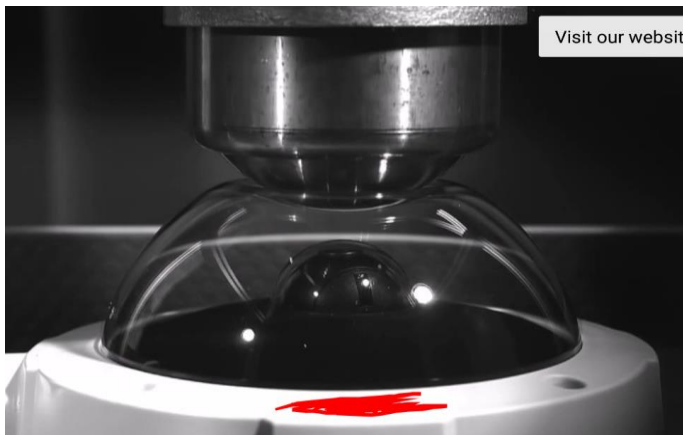
. Acrylic is resistant to scratches, but is easily broken by external impact.

. Polycarbonate is weak in scratches(Compared to acrylic) but is not easily broken by external impact.

. To meet the IK10 standard, it should not be easily damaged by external impact.

Therefore, Vandal dome products are made of Polycarbonate as a dome cover material.

We have adopted the dome cover of Polycarbonate material to satisfy IK10 standard.



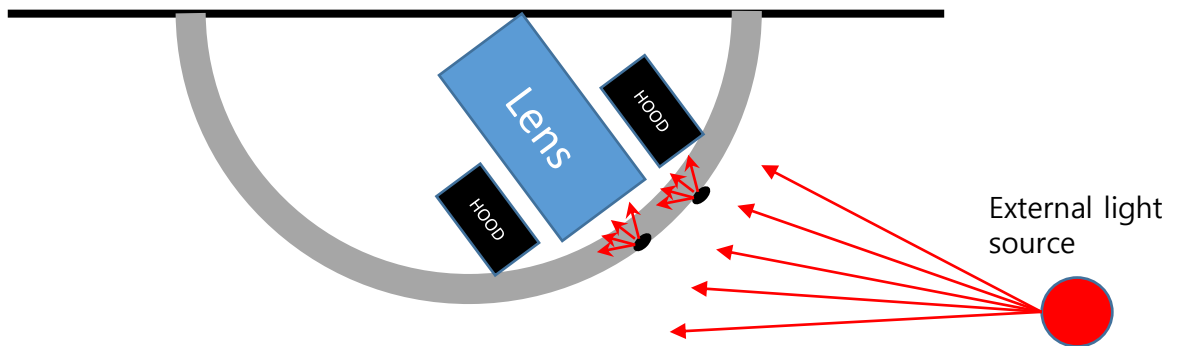
IK10 standard test image  
(The dome cover should never be broken.)

Source of image : <https://youtu.be/W8E0zYeJJwc>

---

**Mechanism : Irregular reflection by Dome cover scratch and dusty**

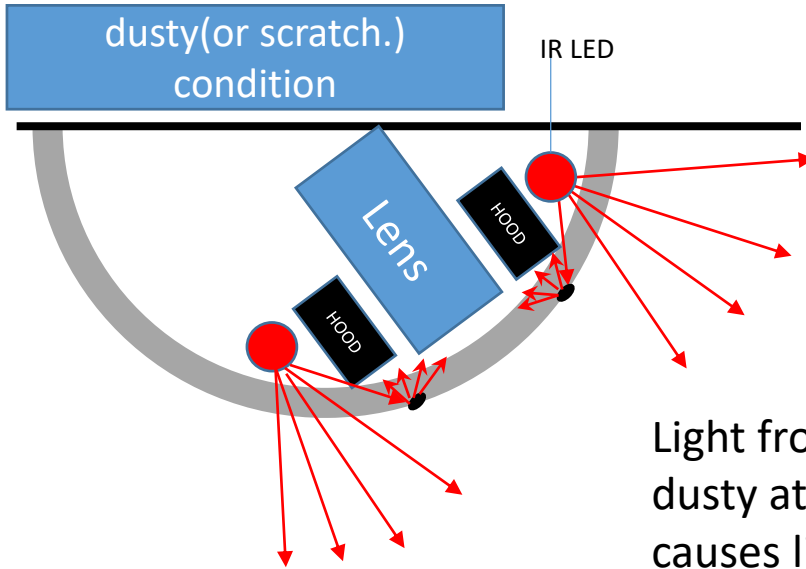
---

**□ Case 1 : IR reflection from external light****\* situation on dome cover scratched**

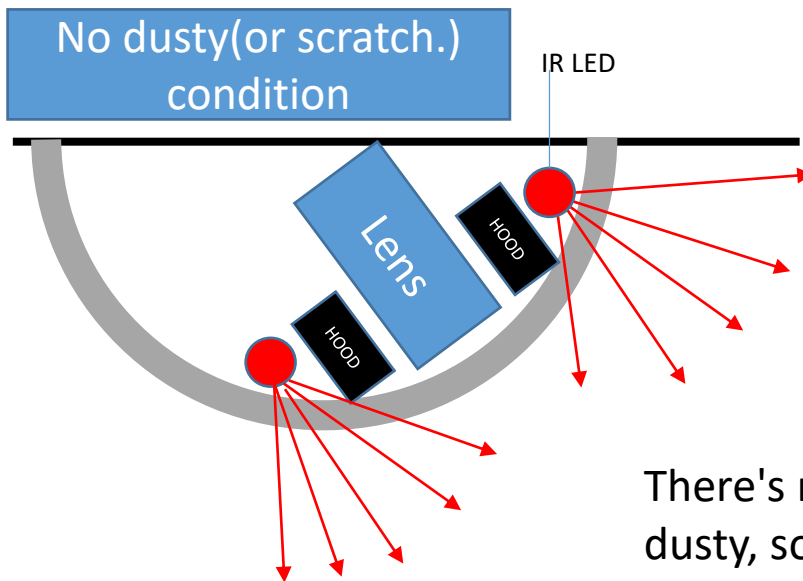
The light from the external light source is scattered by dusty attached or scratched to the dome, making the screen blurry.

If there's no dusty on the dome, the light won't scatter and the screen won't get blurry.

**Mechanism : Irregular reflection by Dome cover scratch and dusty**



Light from IR LED scatters from dusty attached to the dome and causes light to enter the lens, causing the screen to be blurred.



There's no scattering caused by dusty, so the screen doesn't get blurry.